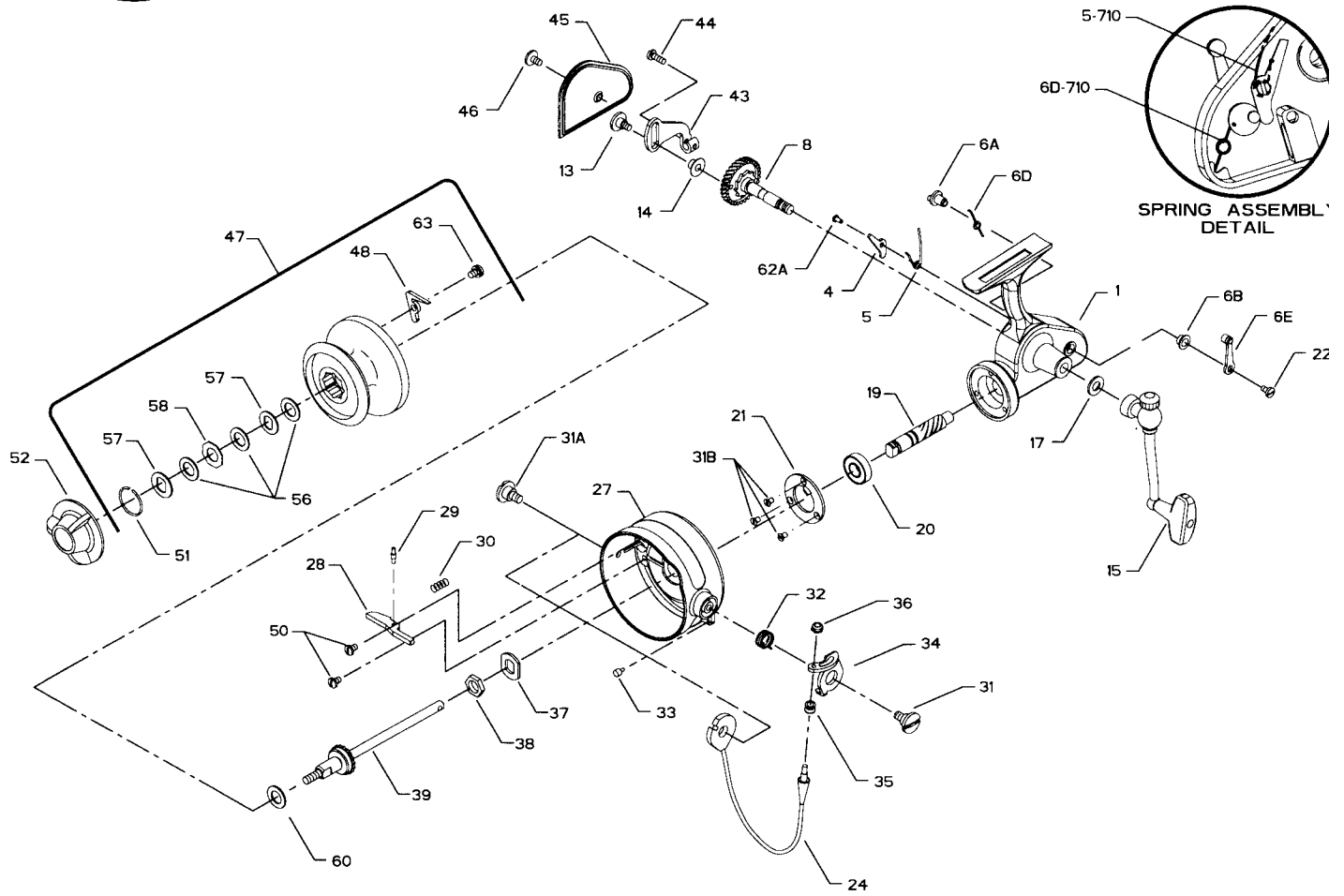




PARTS AND PRICE LIST FOR MODELS 712Z AND 713Z



use 15-710Z

Key No.	Part No.	Description	Price	Key No.	Part No.	Description	Pri
1	*1-710Z	Housing w/Bushing	\$13.05	32	32-710	Bail Spring	
4	4-710	Dog	.80	33	33R-712	Bail Arm Bumper	
5	*5-710	Dog Spring	.40	34	34-712	Bail Arm	2
6A	*6A-710	Eccentric	1.10	35	35-720	Line Roller	2
6B	6B-700Z	Eccentric Liner	.40	36	36-700	Bail Lock Nut	
6D	6D-710	Eccentric Spring	.45	37	37-710	Rotor Cup Washer	
6E	6E-710	Eccentric Lever	.80	38	38-710	Rotor Cup Nut	
8	*8-712	Main Gear w/Ratchet	8.80	39	39-712	Spool Shaft	5
13	13-710	Crosswind Screw	.80	43	*43-710	Crosswind Arm	1
14	14-710	Crosswind Roller	.45	44	44-710	Crosswind Screw	
15	*15-712Z X	Handle (Complete)	7.50	45	*45-712Z	Housing Plate	2
17	17-710	Handle Washer	.50	46	46-710	Housing Plate Screw	
19	19-712	Pinion Gear	8.10	47	47-712Z	Spool (Complete)	12
20	20-704	Pinion Bearing	16.00	48	48-720	Click Tongue	
21	21-712	Bearing Retainer	1.90	50	50-712	Release Arm Screw (2 req.)	
22	22-109	Eccentric Screw	.50	51	51-710	Retaining Spring	
24	24-712	Bail Wire	6.35	52	52-710Z	Drag Knob	3
27	27-712Z	Rotor Cup	8.80	56	56-710	Drag Washer-HT100 (3 req.)	
28	28-712	Bail Release Arm	1.10	57	57-720	Metal Keyed Washer (2 req.)	
29	29-712	Bail Release Pin	.40	58	58-720	Metal Washer (Octagon)	
30	30-700	Bail Release Spring	.40	60	60-712	Rear Drag Washer (Teflon®)	
31	31-710	Bail Arm Screw	1.00	62A	62A-716	Dog Screw	
31A	31A-712	Bail Screw	1.00	63	63-349	Click Screw	
31B	31-19	Bearing Cover Screw (3 req.)	.40				

*For 713Z model order these parts with model suffix (i.e. 1-713Z Housing with Bushing)
 Prices and specifications subject to change without notice.